



# ALUMINUM SLIDING DOORS

SZAFIR | LAZURYT | AGAT | ONYX

Partitions  
Closets  
Wall Units



**KOMANDOR**

# SZAFIR system



Szafir - a narrow, geometrically stylized and modern profile. The use of aluminum and the selection of inspiring colors emphasize its original shape and character. Szafir perfectly combines the functionality of the frame serving as a handle, with its delicate appearance. Wardrobes finished with this system are modern, soaring and extremely designer. They look attractive in minimalistic, eclectic, or scandinavian interiors as well as classic or loft interiors.

The Szafir system enables the production of sliding, pivoting and slant doors and the combination of various insert materials within one door. It is also possible to use decorative strips in the colour of the system. Thanks to the hidden bottom rollers, the system can be used as a partition door between rooms.

## PARAMETERS

- max door height: 2,75 m
- max door width: 1,50 m

## PROPERTIES

- anti-jumping function protects the door against falling out of the bottom track
- hidden running system and the invisible bottom track fixing allow the use of transparent insert material in the door
- rollers equipped with bearings ensure light door sliding with ease
- buffer strips with short and long hair reduce vibrations when closing the door and protect the interior against dust
- possibility of using the door closers ensuring soft closing of the door



## PROFILE COLORS

white



anode graphite



gold



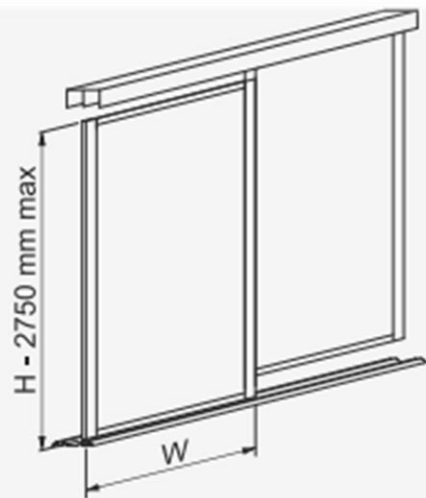
anode natural



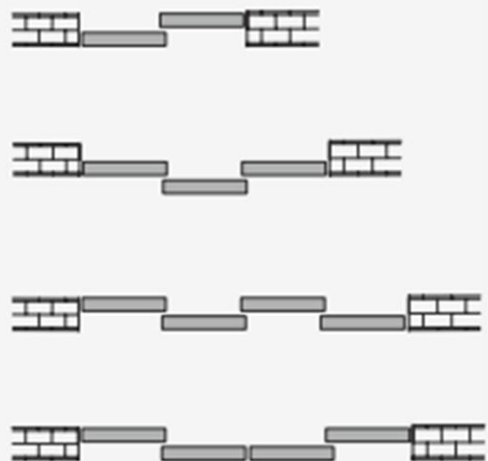
anode champagne



Special  
Order



$W = 400+1500 \text{ mm}$  - panel 8/10 mm  
 $W = 400+1500 \text{ mm}$  - glass 4/4,6/6 mm





# LAZURYT

system



LAZURYT - Interesting, harmonious shape that's structure is architecturally pleasing. The slim line, delicate roundness at the edge of the frame and its perfect composition makes Lazuryt an aristocrat among profiles of a similar character. It is a profile that stands out against the background of the door insert material, forming its visible frame. Lazuryt makes the wardrobe look elegant and classy, and at the same time modern and fresh. It goes perfectly with the classic, retro, vintage, industrial, scandinavian, eclectic, and contemporary styles.

The Lazuryt system enables the production of sliding, pivoting and slant doors and the combination of various insert materials within one door. It is also possible to use decorative strips in the colour of the system. Thanks to the hidden bottom rollers, the system can be used as a partition door between rooms.

## PARAMETERS

- max door height: 2,75 m
- max door width: 1,50 m

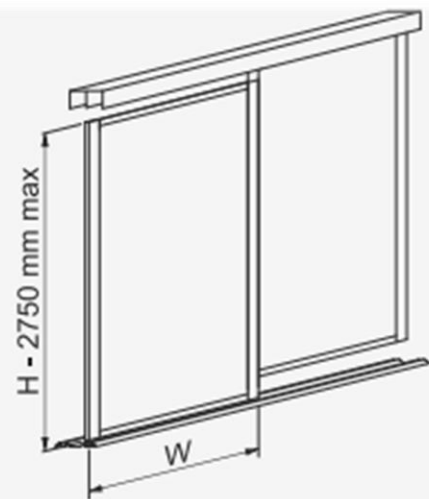
## PROPERTIES

- anti-jumping function protects the door against falling out of the bottom track
- hidden running system and the invisible bottom track fixing allow the use of transparent insert material in the door
- buffer strips with short and long hair reduce vibrations when closing the door and protect the interior against dust
- rollers equipped with bearings ensure light door sliding with ease
- quiet work of the running gear
- possibility of using the door closers ensuring soft closing of the door

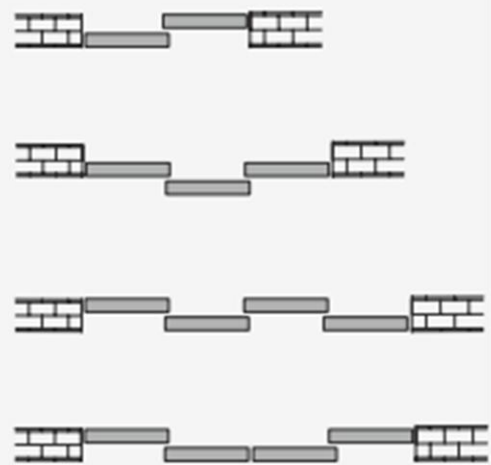


## PROFILE COLORS





W = 400+1500 mm - panel 8/10 mm  
W = 400+1500 mm - glass 4/4,6/6 mm





# AGAT system



Agat - is a reference to the ancient culture, which has defined the European canons of beauty for a long time. The profile regards to simplicity and harmony, combining a strict geometric shape - classic and regular - with a modern, expressive form. It gives the wardrobe light and soft character, without depriving them of harmony and perfect proportions. It is an excellent proposition for interiors in classic, retro or boho style, and with appropriate styling - a romantic or French style.

The Agat system enables the production of sliding, pivoting and slant doors and the combination of various insert materials within one door. It is also possible to use decorative strips in the colour of the system. Thanks to its symmetry and hidden bottom rollers, the system can be used as a partition door between rooms.

## PARAMETERS

- max door height: 2,75 m
- max door width: 1,50 m

## PROPERTIES

- symmetry - the same appearance on both sides
- rollers equipped with bearings ensure light door sliding with ease
- anti-jumping function protects the door against falling out of the bottom track
- hidden running system and the invisible bottom track fixing allow the use of transparent insert material in the door
- buffer strips with short and long hair reduce vibrations when closing the door and protect the interior against dust
- possibility of using the door closers ensuring soft closing of the door

12



## PROFILE COLORS

white



anode black



gold

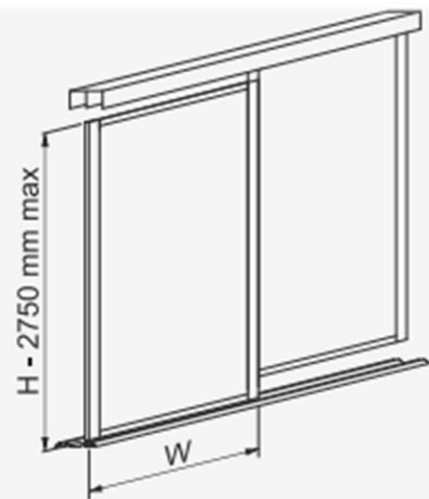


anode natural

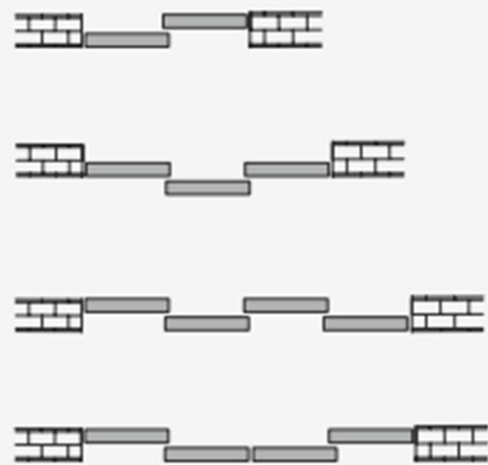


anode champagne





W = 400+1500 mm - panel 8/10 mm  
W = 400+1500 mm - glass 4/4,6/6 mm



# ONYX system



Onyx – referring to the profile of the Agat line, the Onyx profile leans even more toward a pleasing geometric simplicity creating a clean and uncluttered look. Onyx combines the functionality of the frame serving as a handle, with its classic shape. It is a solid choice for eclectic, boho, and classic interiors, lending itself also to romantic styling.

The Onyx system allows for the production of sliding doors and the combination of various insert materials within one door. It is also possible to use decorative strips in the colour of the system. Thanks to its symmetry and hidden bottom rollers, the system can be used as a partition door between rooms.

## PARAMETERS

- max door height: 2,75 m
- max door width: 1,50 m

## PROPERTIES

- symmetry - the same appearance on both sides
- rollers equipped with bearings ensure light door sliding with ease
- anti-jumping function protects the door against falling out of the bottom track
- hidden running system and the invisible bottom track fixing allow the use of transparent insert material in the door
- buffer strips with short and long hair reduce vibrations when closing the door and protect the interior against dust
- possibility of using the door closers ensuring soft closing of the door

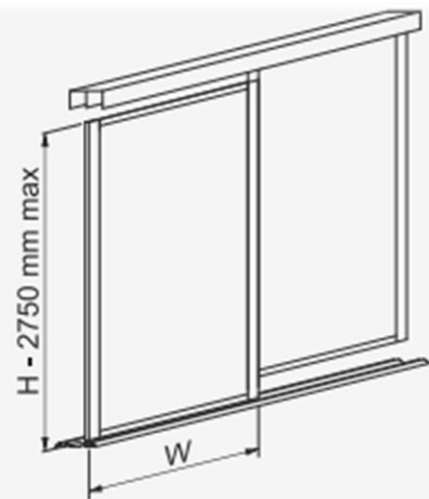
12



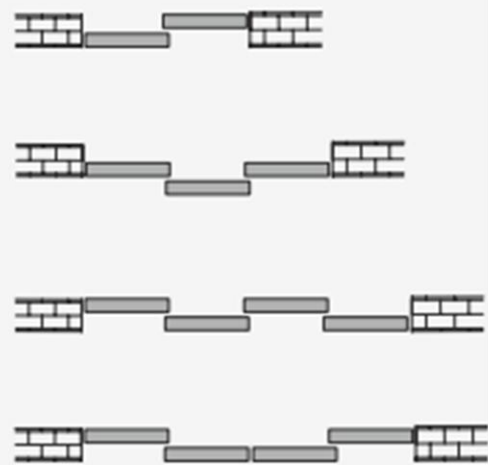
## PROFILE COLORS

anode natural





W = 400+1500 mm - panel 8/10 mm  
W = 400+1500 mm - glass 4/4,6/6 mm



# Insert materials - Glazing

## Float Glass



## Clear & Coloured Mirrors



## Acid Etched Glass



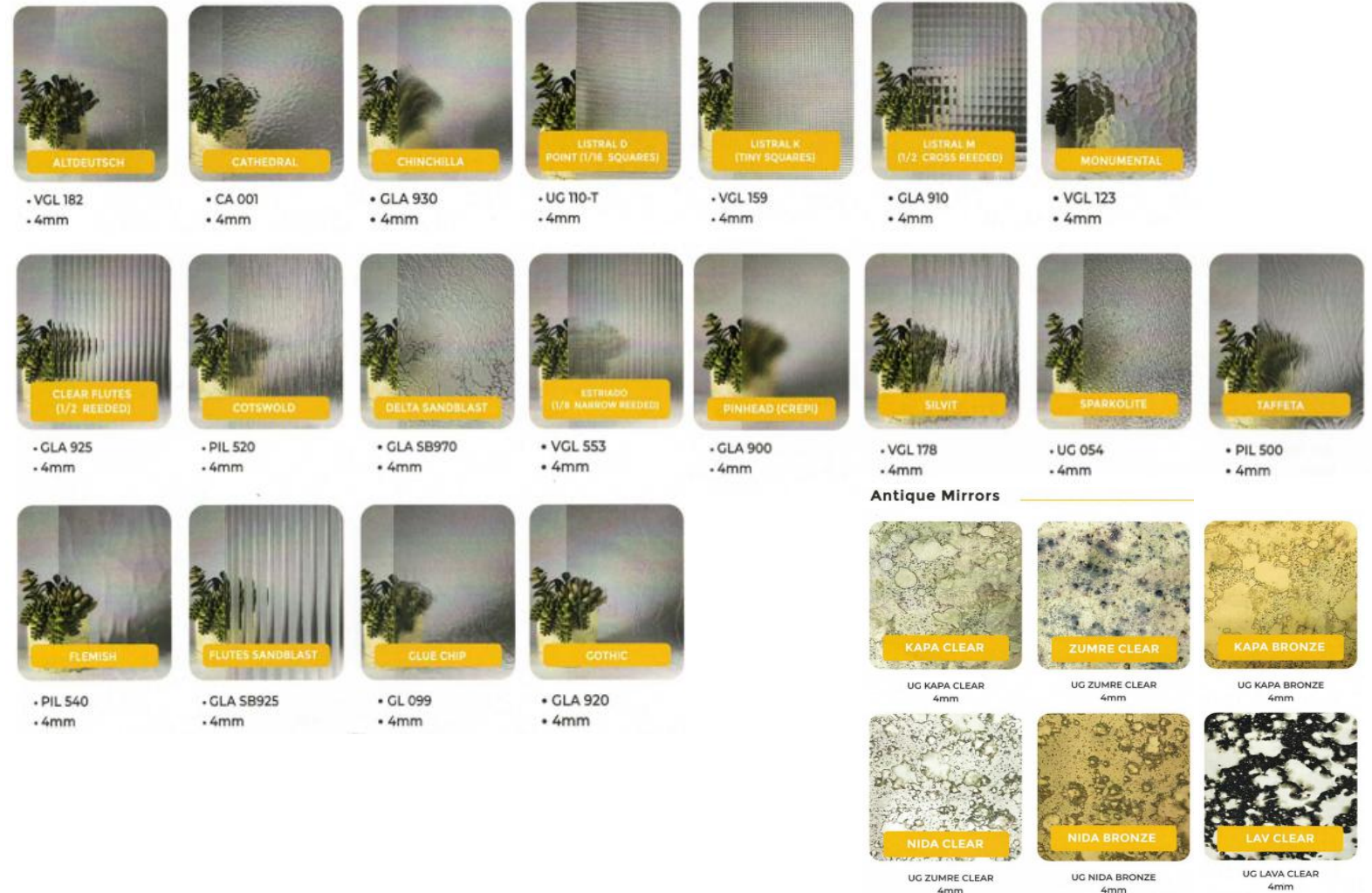
## Back Painted Glass



### Over 20 styles

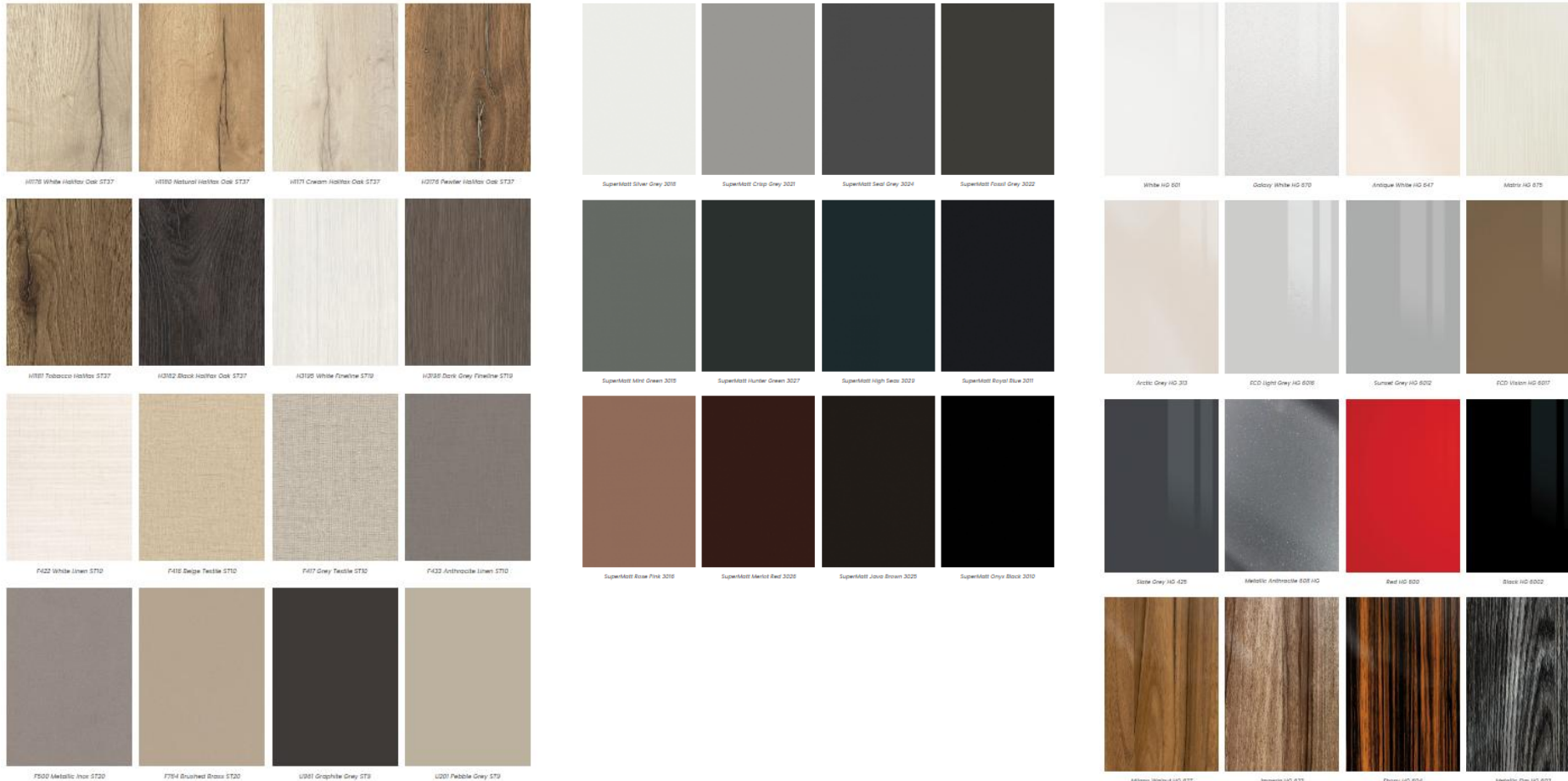
- regular or matte finish
- various colours
- ultra-clear and metallic

## Pattern Glass



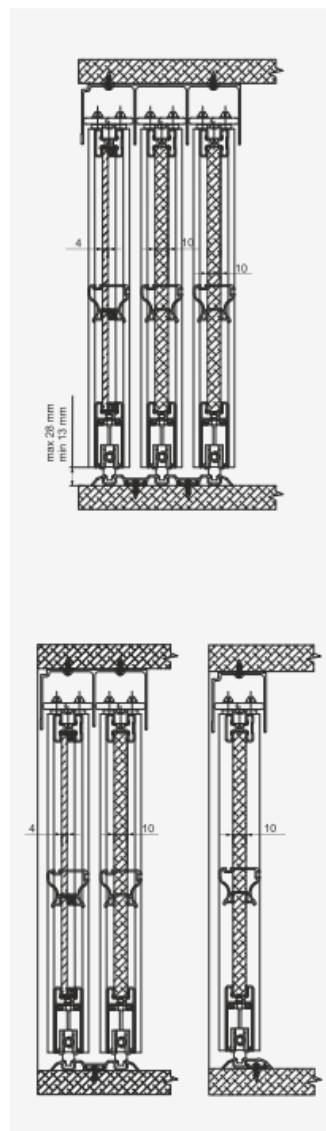
# Insert materials - Panel

European low VOC imports – below is a small sampling of finishes offered

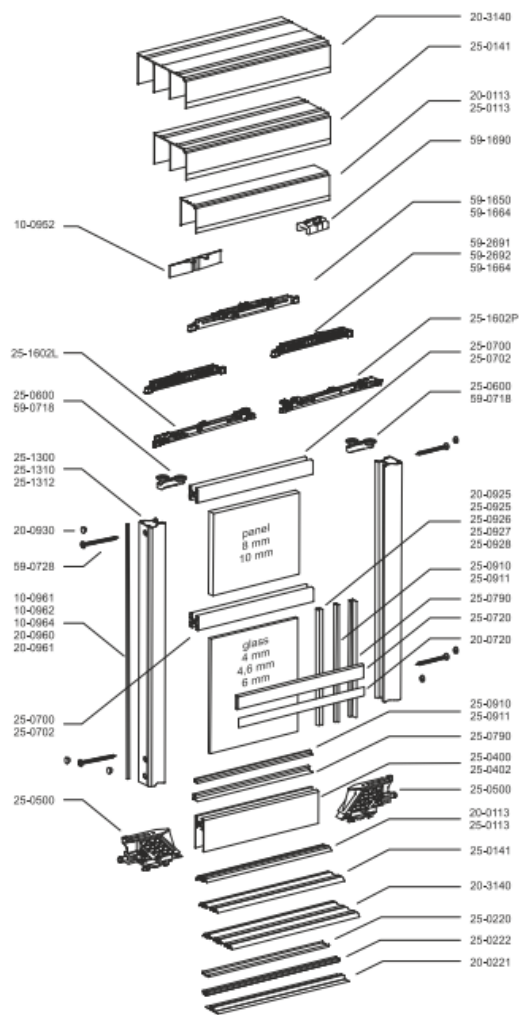


Textured  
High Gloss  
SuperMatt  
Specialty  
Soft Touch

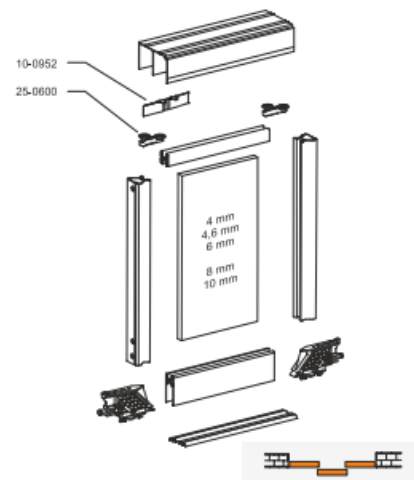




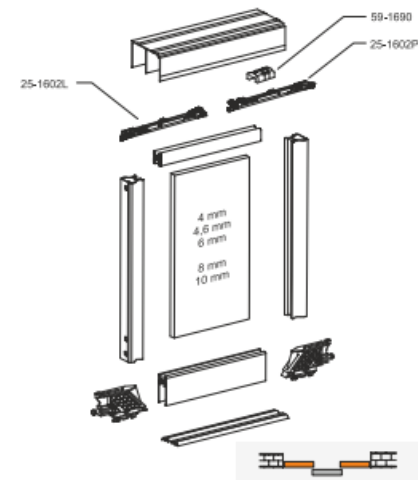
AGAT II SYSTEM



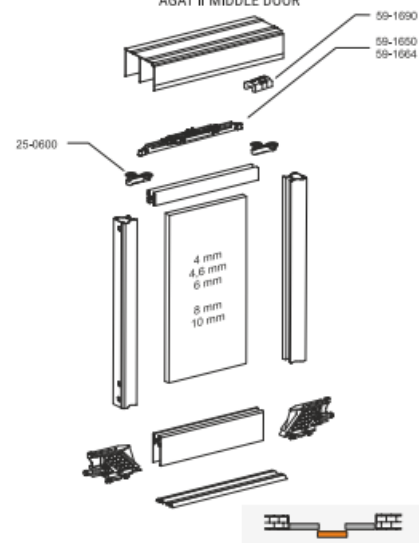
AGAT II



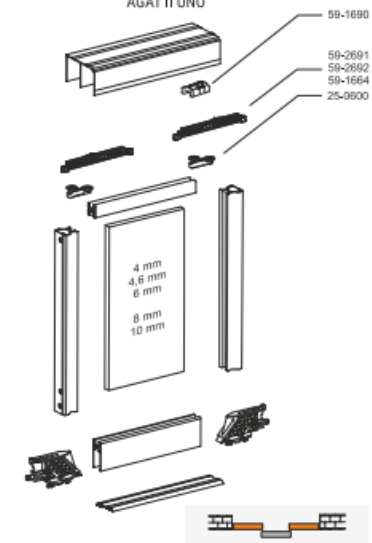
AGAT II COMFORT TOUCH

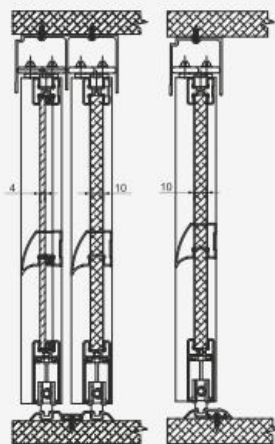
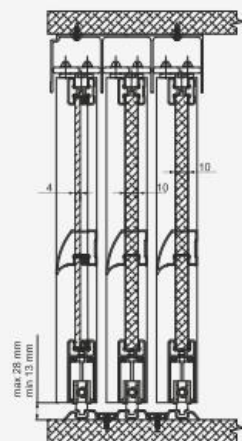


AGAT II MIDDLE DOOR

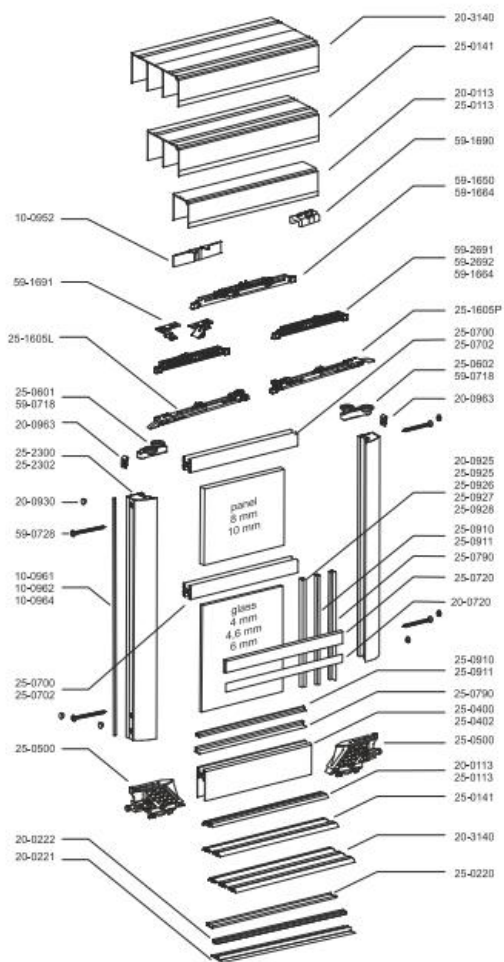


AGAT II UNO

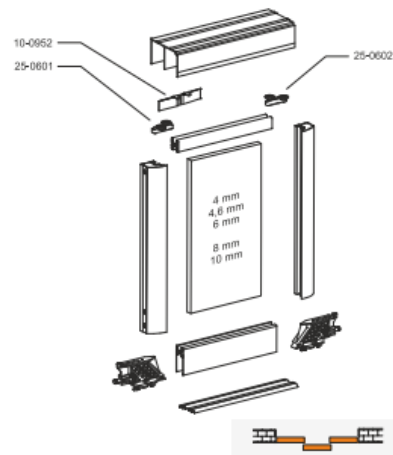




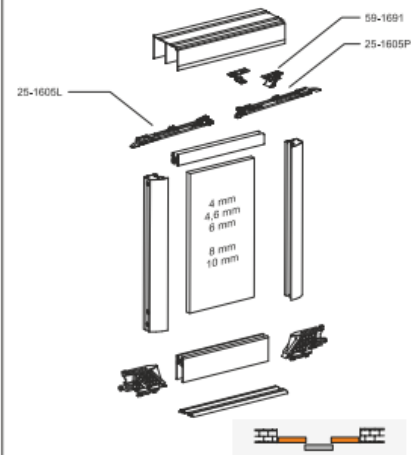
LAZURYT II SYSTEM



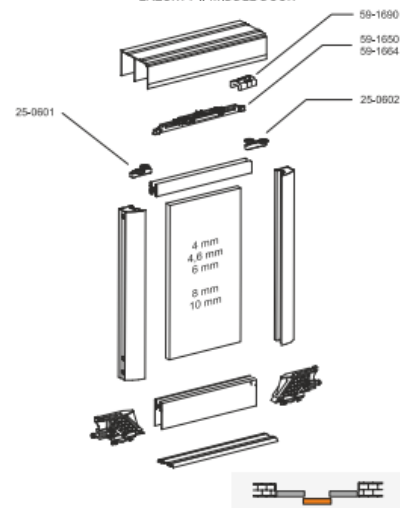
LAZURYT II



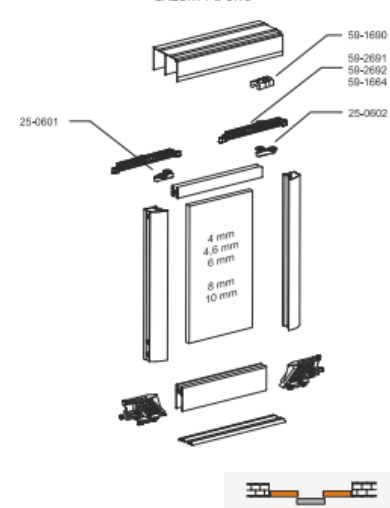
LAZURYT II COMFORT TOUCH

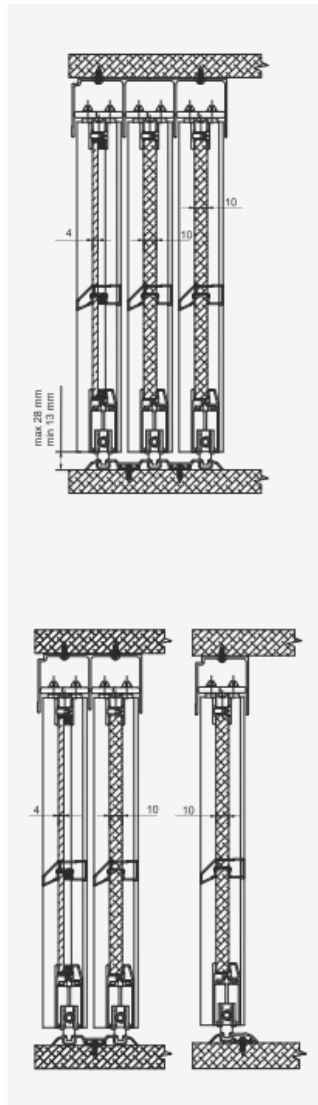


LAZURYT II MIDDLE DOOR

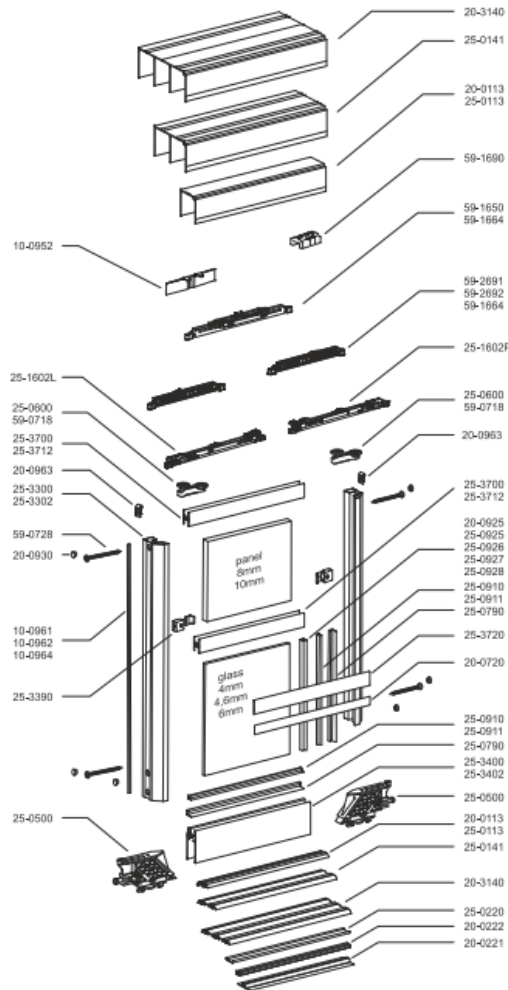


LAZURYT II UNO

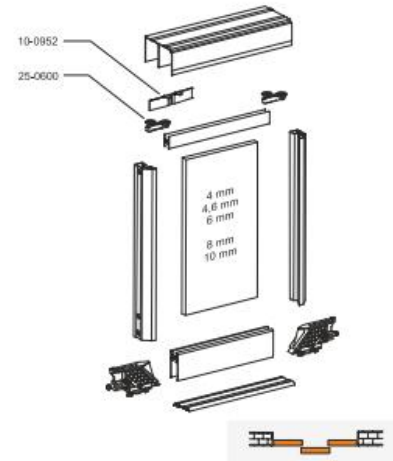




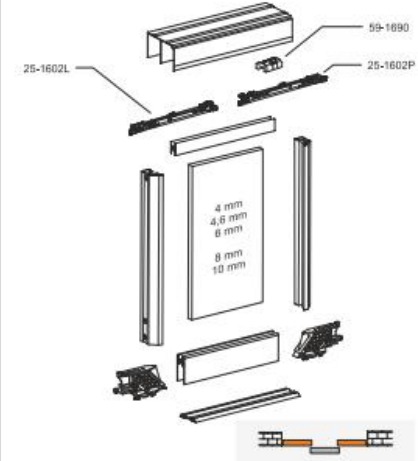
SZAFIR SYSTEM



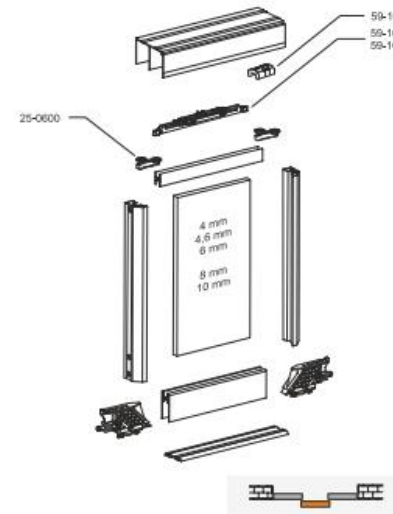
SZAFIR



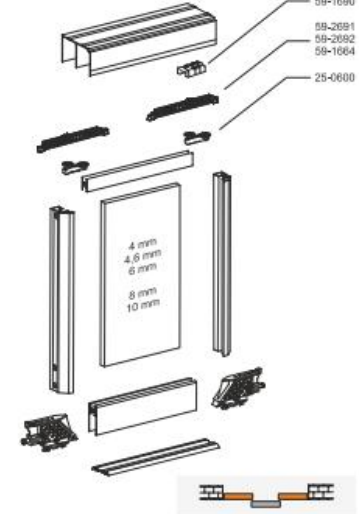
SZAFIR COMFORT TOUCH



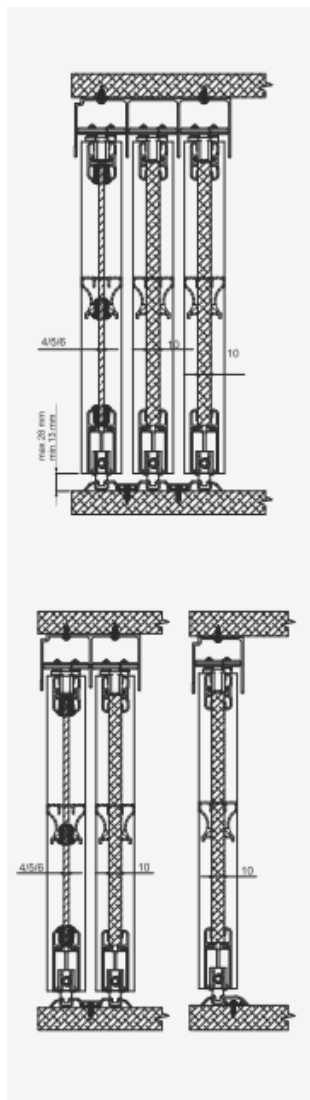
SZAFIR MIDDLE DOOR



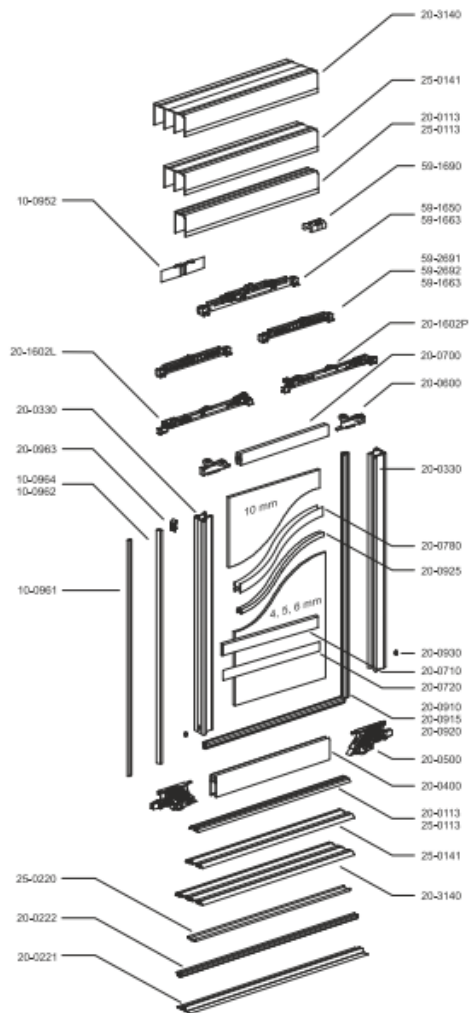
SZAFIR UNO



DRZWI PRZESUWNE SERIA 20  
SLIDING DOORS THE 20 SERIES

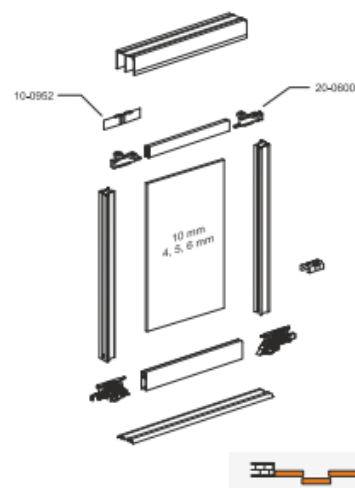


ONYX SYSTEM

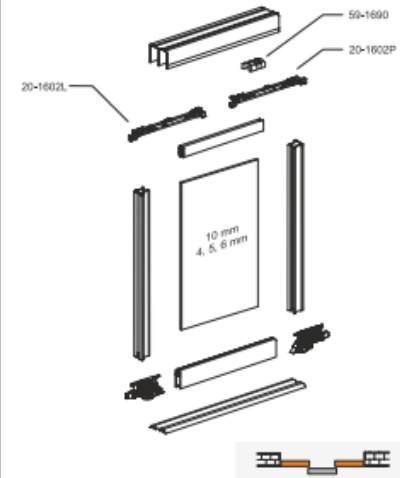


ONYX

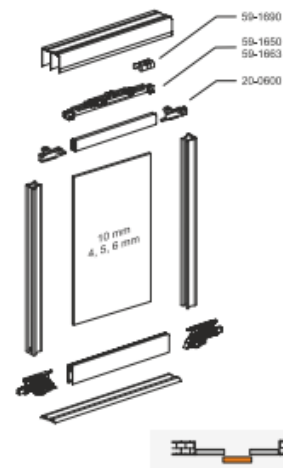
ONYX



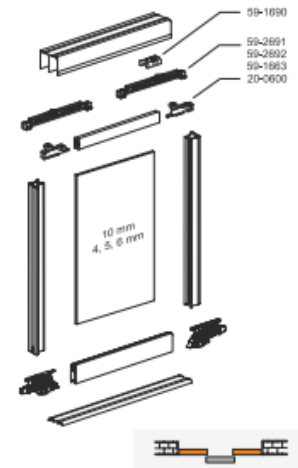
ONYX COMFORT TOUCH



ONYX MIDDLE DOOR



ONYX UNO



**DRZWI PRZESUWNE SERIA 25**  
**SLIDING DOORS THE 25 SERIES**

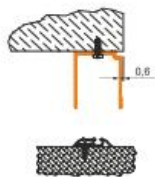
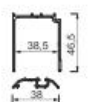


**20-0113-AA**

**25-0113-#**

Tor górny i dolny pojedynczy 5000 mm  
Top and bottom single track 5000 mm  
Rail haut et bas 5000 mm

# - AN, AG, AS, BI, CZ, WE, ZB

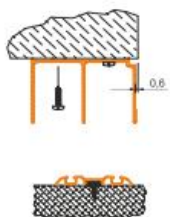
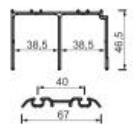


1 pc./pack

**25-0141-#**

Tor górny i dolny AL 25, 5500 mm  
AL 25 top and bottom track, 5500 mm  
Rail haut et bas AL 25, 5500 mm

# - AA, AG, AN, AS, BA, BI, BP, CZ, OT, SJ, WE, ZB

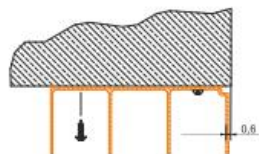
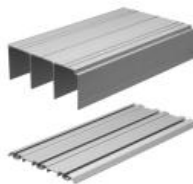
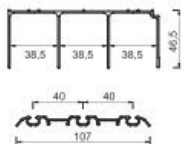


1 pc./pack

**20-3140-#**

Tor górny i dolny potrójny, 5000 mm  
Top and bottom triple track, 5000 mm  
Rail triple haut et bas, 5000 mm

# - AG, AN, AS, BI



1 pc./pack

**25-0220**

Listwa do mocowania torów 2750 mm  
Bottom tracks mounting strip 2750 mm  
Baguette cache-vis 2750 mm



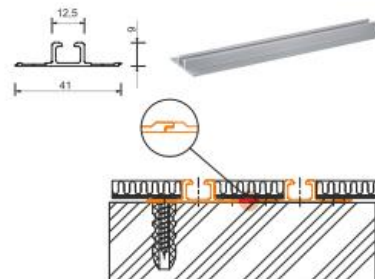
30 pcs./pack



**AGAT II, LAZURYT II, SZAFIR**

**20-0221-AN**

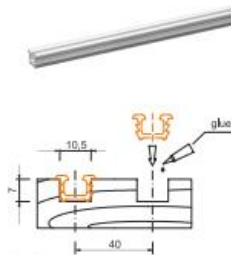
Tor dolny wpuszczany z podstawą 2750 mm, anoda naturalna  
Bottom concealed track with base 2750 mm, anode natural  
Rail bas encastré avec socle 2750 mm, anodisé naturel



6 pcs./pack

**20-0222-AN**

Tor dolny wciskany 2750 mm, anoda naturalna  
Bottom push-in track 2750 mm, anode natural  
Rail bas encastré 2750 mm, anodisé naturel



25 pcs./pack

**25-1300-#**

**25-1310-#**

Ramiek pionowy AGAT II, 2750 mm  
AGAT II stile 2750 mm  
Traverse haut AGAT II, 2750 mm

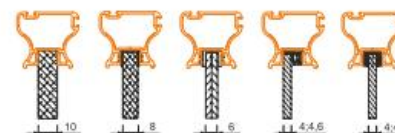
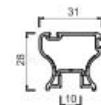
# - AN, WE, ZB

# - AN, AS

**25-1312-#**

Ramiek pionowy AGAT II, 5800 mm  
AGAT II stile 5800 mm  
Traverse haut AGAT II, 5800 mm

# - AN, AS



12 pcs./pack

**25-2300-#**

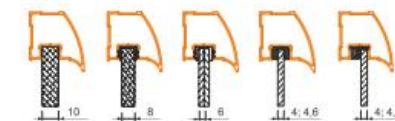
Ramiek pionowy LAZURYT II, 2750 mm  
LAZURYT II stile 2750 mm  
Traverse haut LAZURYT II, 2750 mm

# - AN, AG, AS, BI, WE, ZB

**25-2302-#**

Ramiek pionowy LAZURYT II, 5800 mm  
LAZURYT II stile 5800 mm  
Traverse haut LAZURYT II, 5800 mm

# - AG, AN, AS



12 pcs./pack

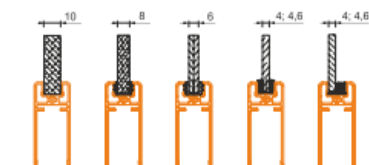
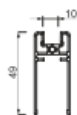
## DRZWI PRZESUWNE SERIA 25 SLIDING DOORS THE 25 SERIES



### 25-0400-#

Ramiak poziomy dolny II, 1800 mm  
Rail II, 1800 mm  
Traverse du bas II, 1800 mm

# - AG, AN, AS, BI, WE, ZB

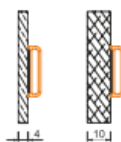


12 pcs./pack

### 25-0720-#

Listwa ozdobna II, 1800 mm  
Decorative batten II, 1800 mm  
Baguette décorative II 1800 mm

# - AN, AS, BI, WE, ZB

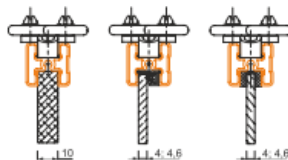
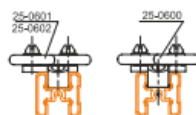


24 pcs./pack

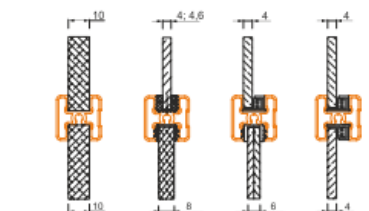
### 25-0700-#

Ramiak poziomy górny II, 1800 mm  
Top joiner rail II, 1800 mm  
Traverse du haut II, 1800 mm

# - AG, AN, AS, BI, WE, ZB



18 pcs./pack



## AGAT II, LAZURYT II, SZAFIR

### 25-3300-#

Ramiak pusty SZAFIR 2750 mm  
SZAFIR stile 2750 mm  
Traverse haut SZAFIR, 2750 mm

# - AG, AN, AS, BI, ZB



12 pcs./pack

### 25-3400-#

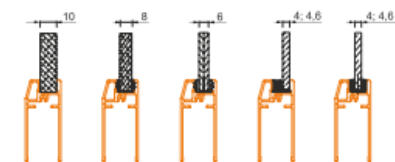
Ramiak poziomy dolny SZAFIR 1800 mm  
SZAFIR rail 1800 mm  
Traverse du bas SZAFIR 1800 mm

# - AG, AN, AS, BI, ZB

### 25-3402-#

Ramiak poziomy dolny SZAFIR 5800 mm  
SZAFIR rail 5800 mm  
Traverse du bas SZAFIR 5800 mm

# - AG, AN, AS, BI, ZB

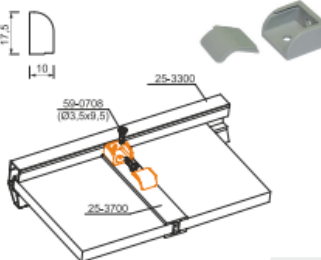


12 pcs./pack

### 25-3390-#

Łącznik profilu SZAFIR (50 szt.)  
SZAFIR stiles fixing bracket (50 pcs.)  
Pièce de jonction traverse/montant SZAFIR (50 pcs.)

# - AG, AN, AS, BI



50 pcs./pack

### 25-3700-#

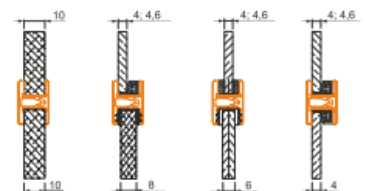
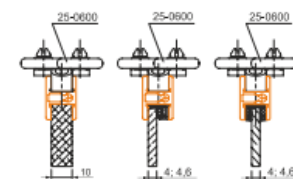
Ramiak poziomy górny SZAFIR 1800 mm  
SZAFIR joiner rail 1800 mm  
Traverse du haut SZAFIR 1800 mm

# - AG, AN, AS, BI, ZB

### 25-3712-#

Ramiak poziomy górny SZAFIR 5800 mm  
SZAFIR joiner rail 5800 mm  
Traverse du haut SZAFIR 5800 mm

# - AG, AN, AS



12 pcs./pack

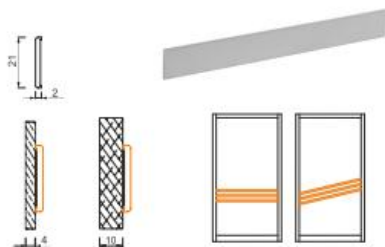
## DRZWI PRZESUWNE SERIA 25 SLIDING DOORS THE 25 SERIES



### 25-3720-#

Listwa ozdobna SZAFIR 1800 mm  
SZAFIR decorative batten 1800 mm  
Baguette décorative SZAFIR 1800 mm

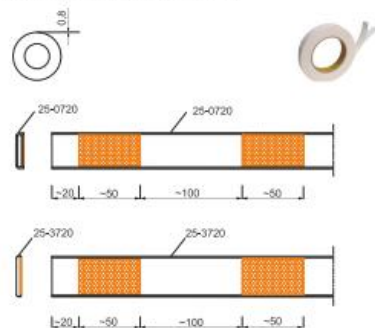
# - AG, AN, AS, ZB



24 pcs./pack

### 20-0720

Taśma dwustronna piankowa 0,019x10 m  
Double-sided foam tape 0,019x10 m  
Bandé en mousse adhésive double face 0,019x10 m

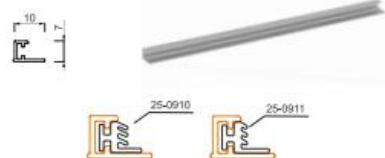


1 rol/10 m 1 pc./pack

### 25-0790-#

Listwa dystansowa 7,2x10,8x2750 mm  
Filler strip 7,2x10,8x2750 mm  
Bandeau de joint 7,2x10,8x2750 mm

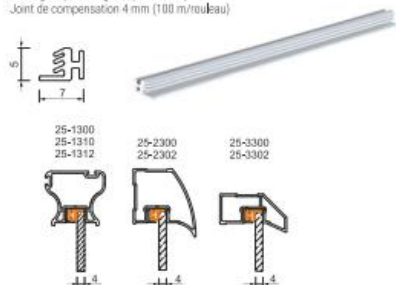
# - AG, AN, AS, CM, ZB



90 pcs./pack

### 25-0910

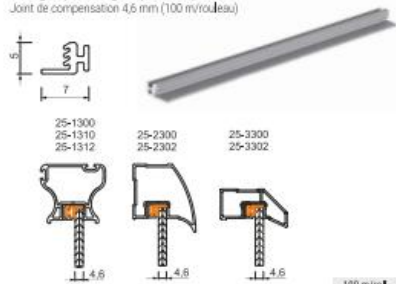
Wkładka dystansowa 4 mm (100 m/rolka)  
Glazing strip 4 mm glass (100 m/roll)  
Joint de compensation 4 mm (100 m/rouleau)



100 m/rol

### 25-0911

Wkładka dystansowa 4,6 mm (100 m/rolka)  
Glazing strip 4,6 mm glass (100 m/roll)  
Joint de compensation 4,6 mm (100 m/rouleau)

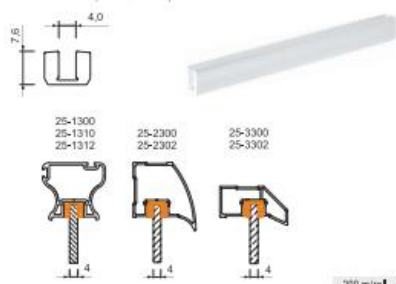


100 m/rol

### 25-0925-#

Uszczelka AL25 4 mm (200 m/rolka)  
AL25 series 4 mm gasket (200 m/roll)  
Joint AL25 4 mm (200 m/rouleau)

# - CM, BI, PR



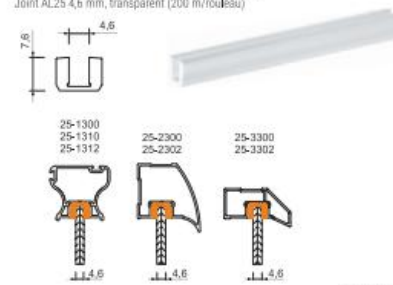
200 m/rol



AGAT II, LAZURYT II, SZAFIR

### 25-0926-PR

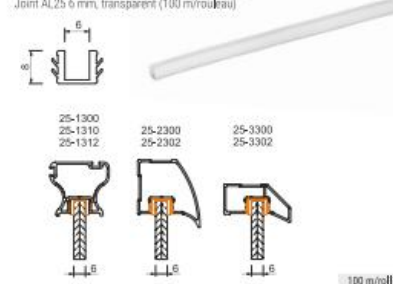
Uszczelka AL25 4,6 mm, przezroczysta (200 m/rolka)  
AL25 series 4,6 mm gasket, translucent (200 m/roll)  
Joint AL25 4,6 mm, transparent (200 m/rouleau)



200 m/rol

### 25-0927-PR

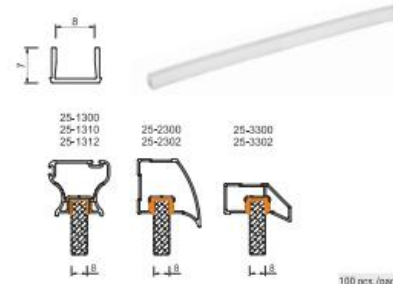
Uszczelka AL25 6 mm, przezroczysta (100 m/rolka)  
AL25 series 6 mm gasket, translucent (100 m/roll)  
Joint AL25 6 mm, transparent (100 m/rouleau)



100 m/rol

### 25-0928-PR

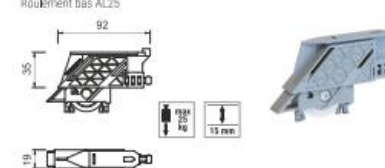
Uszczelka AL25 8 mm, przezroczysta (100 m/rolka)  
AL25 series 8 mm gasket, translucent (100 m/roll)  
Joint AL25 8 mm, transparent (100 m/rouleau)



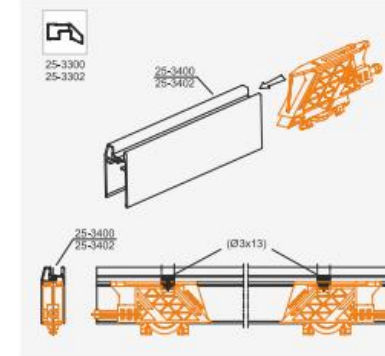
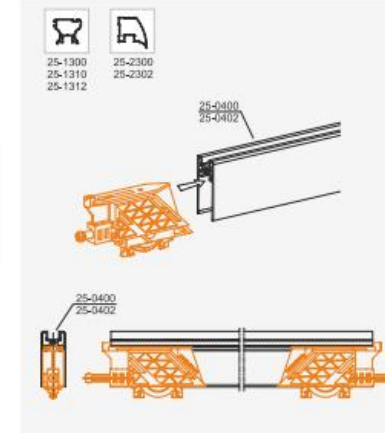
100 pcs./pack

### 25-0500

Wózek dołny AL25  
AL25 anti-jump roller  
Rouleau bas AL25



100 pcs./pack

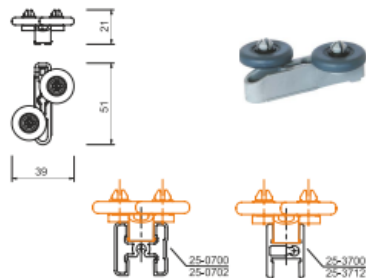


## DRZWI PRZESUWNE SERIA 25 SLIDING DOORS THE 25 SERIES

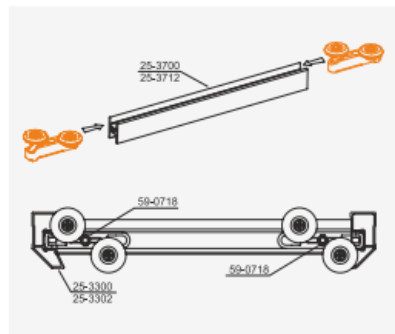
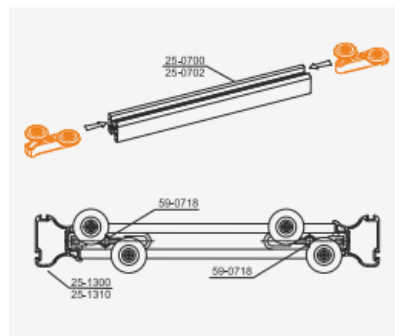


### 25-0600

Przewodnik górny AL25  
AL25 top roller guide  
Roulement haut AL25

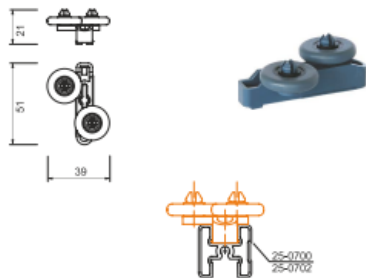


100 pcs./pack



### 25-0601

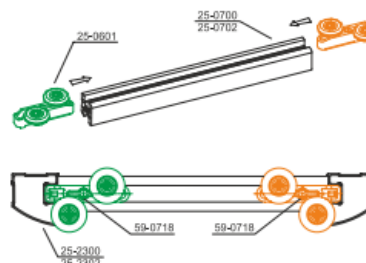
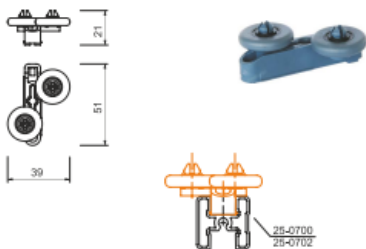
Przewodnik górny asymetryczny lewy AL25  
AL25 top roller guide asymmetric, left  
Roulement haut asymétrique gauche AL25



100 pcs./pack

### 25-0602

Przewodnik górny asymetryczny prawy AL25  
AL25 top roller guide asymmetric, right  
Roulement haut asymétrique droit AL25



100 pcs./pack

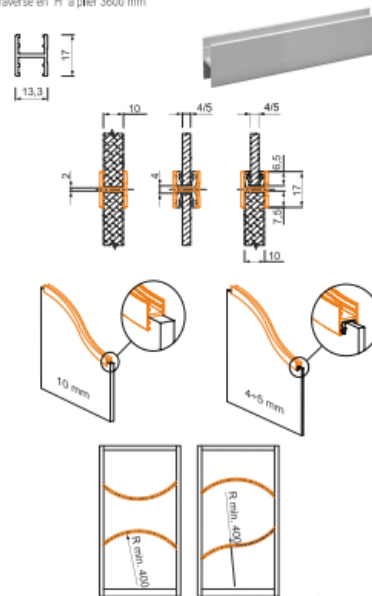


AGAT II, LAZURYT II, SZAFIR

### 20-0780-#

Ramiak łączący do giecia 3600 mm  
Bendable joiner rail 3600 mm  
Traverse en "H" à pier 3600 mm

# - AA, AN, AS

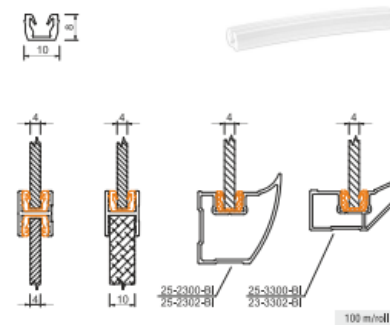


20 pcs./pack

### 20-0925-#

Uszczelnienie łączące przezroczyste (100 m/rolka)  
Glazing strip, transparent (100 m/roll)  
Joint transparent (100 m/rouleau)

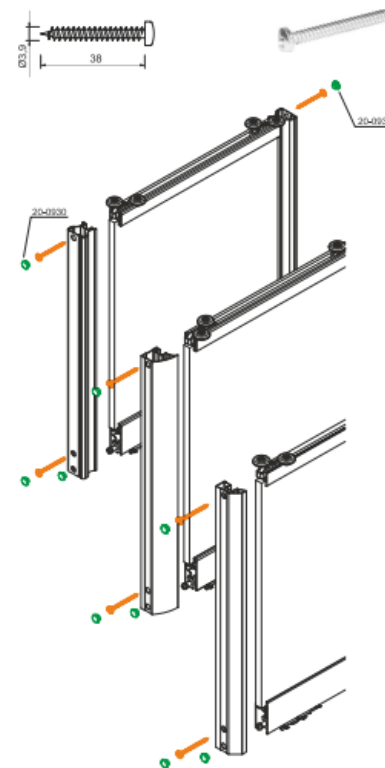
# - CM, PR



100 m/roll

### 59-0728

Wkręt do montażu 3,9x38 mm (1000 szt.)  
Mounting screw 3.9x38 mm (1000 pcs.)  
Vis de montage 3,9x38 (1000 pcs.)

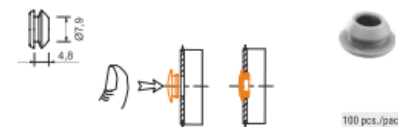


1000 pcs./pack

### 20-0930-#

Korek (100 szt.)  
Plug (100 pcs.)  
Bouchon (100 pcs.)

# - AA, AN, BR, BI, CZ, PR



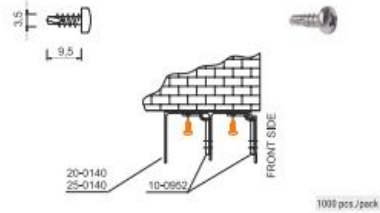
100 pcs./pack



### AGAT II, LAZURYT II, SZAFIR

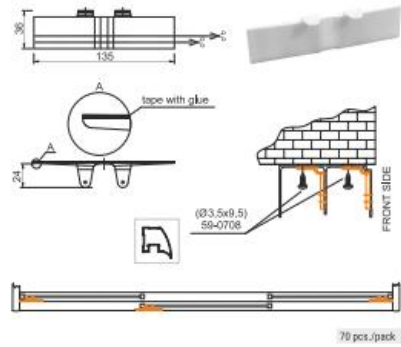
#### 59-0708

Wkręt do montażu 3,5x9,5 (1000 szt.)  
Mounting screw 3.5x9.5 (1000 pcs.)  
Vis de montage 3,5x9,5 mm (1000 pcs.)



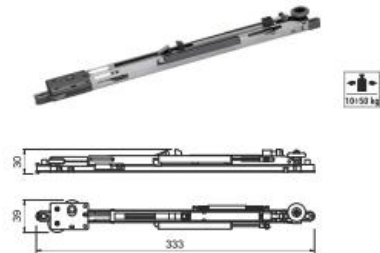
#### 10-0952-#

Stoper uniwersalny (70 szt.)  
Universal stopper (70 pcs.)  
Stoppeur (70 pcs.)



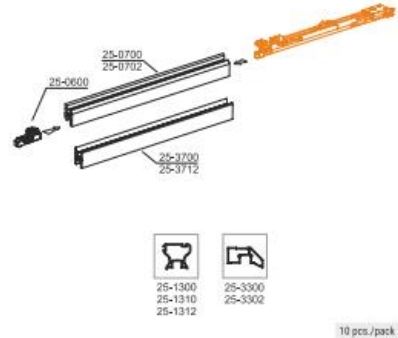
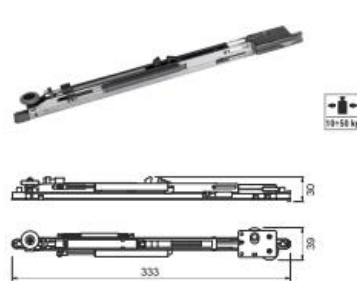
#### 25-1602L

Domykacz Comfort Touch II AL25 symetryczny, lewy  
AL25 Comfort Touch II spring asymmetrical, left  
Amortisseur Comfort Touch II AL25 symétrique, droit



#### 25-1602P

Domykacz Comfort Touch II AL25 symetryczny, prawy  
AL25 Comfort Touch II spring symmetrical, right  
Amortisseur Comfort Touch II AL25 symétrique, gauche

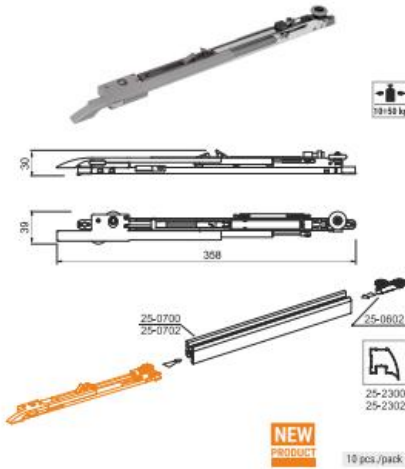


### DRZWI PRZESUWNE SERIA 25 SLIDING DOORS THE 25 SERIES



#### 25-1605L

Domykacz Comfort Touch III AL25 asymetryczny, lewy  
AL25 Comfort Touch III spring asymmetrical, left  
Amortisseur Comfort Touch III AL25 asymétrique, droit



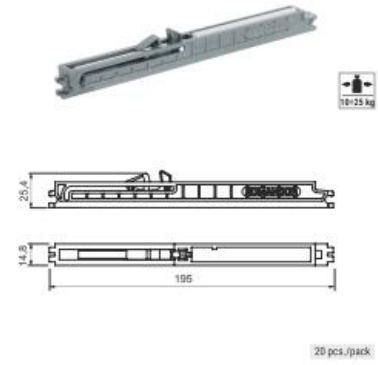
#### 25-1605P

Domykacz Comfort Touch III AL25 asymetryczny, prawy  
AL25 Comfort Touch III spring asymmetrical, right  
Amortisseur Comfort Touch III AL25 asymétrique, gauche



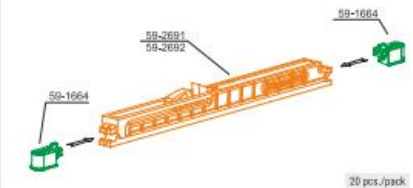
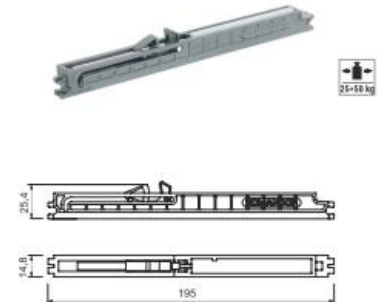
#### 59-2691

Domykacz Lino 25 kg  
Lino air spring 25 kg  
Amortisseur Lino 25 kg



#### 59-2692

Domykacz Lino 50 kg  
Lino air spring 50 kg  
Amortisseur Lino 50 kg

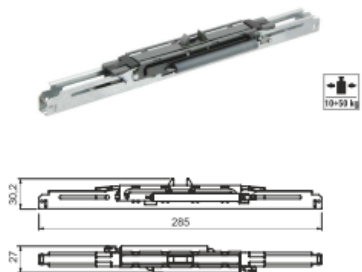




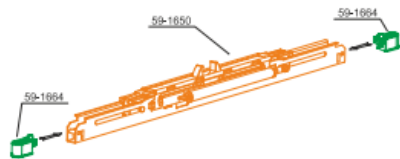
AGAT II, LAZURY II, SZAFIR

**59-1650**

Domykacz środkowy  
Middle doors air spring  
Amortisseur central



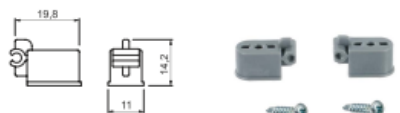
19-50 kg



5 pcs./pack

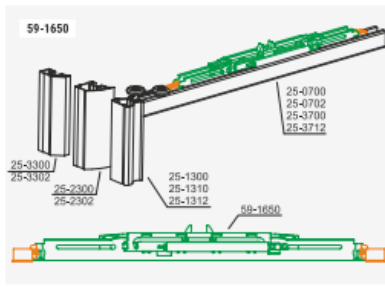
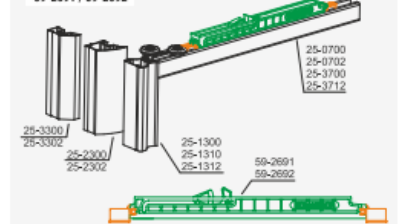
**59-1664**

Zaczep domykacza środkowego / Uno AL25 / Winnipeg  
Middle doors air spring / Uno spring mount AL25 / Winnipeg  
Attache d'amortisseur central / Uno AL25 / Winnipeg



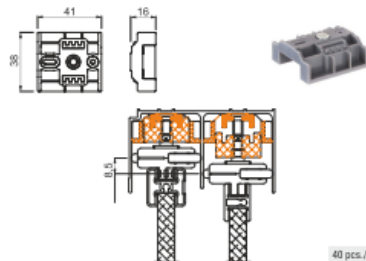
20 sets/pack

**59-2691 / 59-2692**

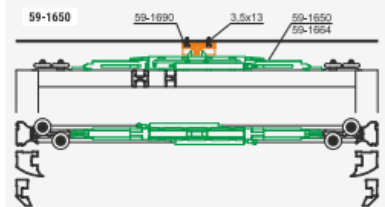
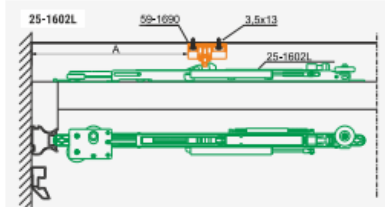


**59-1690**

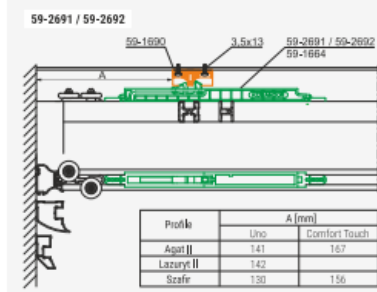
Chwytnak domykacza Comfort Touch  
Comfort Touch spring catch  
Doigt d'entraînement pour amortisseur Comfort Touch



40 pcs./pack

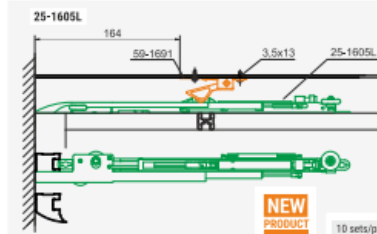
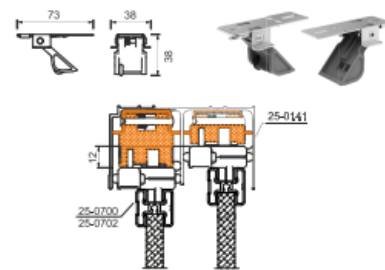


DRZWI PRZESUWNE SERIA 25  
SLIDING DOORS THE 25 SERIES



**59-1691**

Chwytnak samonastawny (prawy+lewy)  
Comfort Touch spring catch, self-adjusting (left + right)  
Loquet à ressort Comfort Touch, autoreglable (gauche + droite)



**59-0718**

Wkręt dociskowy M6x KB (100 szt.)  
Headless set screw KB M6x (100 pcs.)  
Éléments de fixation du profil porteur (100 pcs.)



100 pcs./pack

**59-0691-1**

Domykacz 25 kg, lewy  
Air spring 25 kg, left  
Frein amortisseur 25 kg, gaucher



1 pc./pack

**59-0691-2**

Domykacz 25 kg, prawy  
Air spring 25 kg, right  
Frein amortisseur 25 kg, droit



1 pc./pack

**59-0692-1**

Domykacz 25-50 kg, lewy  
Air spring 25-50 kg, left  
Frein amortisseur 25-50 kg, gauche



1 pc./pack

**59-0692-2**

Domykacz 25-50 kg, prawy  
Air spring 25-50 kg, right  
Frein amortisseur 25-50 kg, droit



1 pc./pack

**59-0693-1**

Domykacz 75 kg, lewy  
Air spring 75 kg, left  
Frein amortisseur 75 kg, gauche



1 pc./pack

**59-0693-2**

Domykacz 75 kg, prawy  
Air spring 75 kg, right  
Frein amortisseur 75 kg, droit



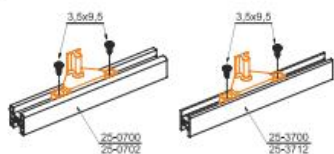
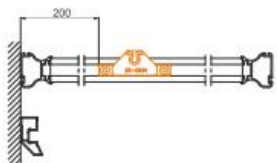
1 pc./pack



## AGAT II, LAZURYT II, SZAFIR

### 25-0691

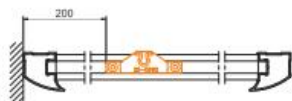
Pliśt domykacza drzwi Agat II (50 szt.)  
Air spring guide for Agat II door (50 pcs.)  
Platine Agat II (50 pcs.)



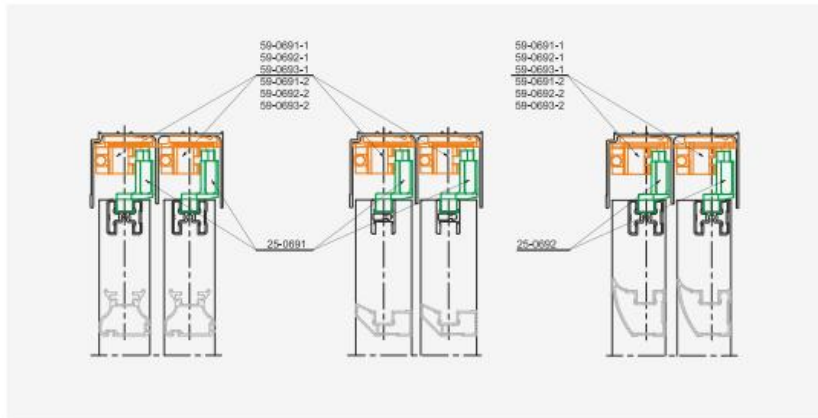
50 pcs./pack

### 25-0692

Pliśt domykacza drzwi Lazuryt II (50 szt.)  
Air spring guide for Lazuryt II door (50 pcs.)  
Platine Lazuryt II (50 pcs.)



50 pcs./pack





**KOMANDOR CANADA CLOSETS & DOORS INC.**  
863 Rangeview Rd., Mississauga, ON L5E 1H1  
tel: 905.766.0880 [www.komandor.ca](http://www.komandor.ca)